

# strands®

-lighting division

## MANUAL

### CRUISE LIGHT ROOF BAR LED

**RED** = +V DC

**BLACK** = - TO CHASSIS GROUND

**YELLOW** = PATTERN SWITCH (TO +V DC)

**WHITE** = DATA A FOR CONTROL BOX

**BLUE** = DATA B FOR CONTROL BOX

#### **WARNING!**

Never connect +V DC to white or blue cable, the Roof Bar will most likely stop working and the warranty is not valid.

#### **When applying yellow cable to +VDC:**

**1 sec** = Change pattern.

**5 sec** = Reset to first pattern.

**10 sec** = Remove memory function. (Always start on first pattern)

**15 sec** = Recall memory function.

Synchronize two Roof Bars is possible, by connecting the yellow wires together.

PATTERN	PATTERN DESCRIPTION	FLASH RATE
1	Single Flash, ECE R65 Class 2 (by day)	125FPM
2	Single Flash, ECE R65 Class 1 (by night)	125FPM
3	Double Flash	125FPM
4	Triple Flash-Alternating Front and Back/All	22FPM
5	Triple Flash-Alternating Middle/Two Ends/All	22FPM
6	All (Single Flash) /All (Quadruple Flash)	53FPM
7	Single Flash: Alternating Left and Right Half	130FPM
8	Tracking Flash: Alternating In and Out	75FPM
9	Tracking Flash	150FPM
10	Cruise	N/A
11	Center Arrow	75FPM
12	Left Arrow	37.5FPM
13	Right Arrow	37.5FPM

#### **READ THIS BEFORE INSTALLATION**

READ ALL INSTRUCTIONS AND STUDY DIAGRAMS BEFORE INSTALLING YOUR NEW LIGHTS!

#### **LEGAL MOUNTING**

Check with state or local authorities for laws governing usage and proper mounting of your new lights.

#### **TAKE CARE OF YOUR PRODUCT**

Keep the product clean. Dirt may shorten the products lifetime.

We recommend using lukewarm water and alkaline degreasing.

Follow the degreasing instructions carefully and rinse off gently with cold or lukewarm water on low pressure.

#### **WARNING!**

Strong chemicals should not be used on the product. If you accidentally get strong chemicals on the product, rinse off immediately, use plenty of water so that no chemicals remain in any joint.

Some chemicals have a small amount of solvent in them, this can dissolve sealing adhesives and compromise the product's waterproofness.

Some chemicals pull out liquid from plastic and rubber-based components, which makes the plastic or rubber brittle and bursts more easily.

Be careful not to use high water pressure close up on the product.

If you use high water pressure at short distances, most products find it difficult to close out the water.

#### **INSTALLATION**

If there is a contact/connector on the product, it should not be cutted. If the connector is cut, the warranty is not valid.

If the product has loose cable and no connector. If the cable is shorter than 50 cm, the cable must not be cutted. If the cable is cut, the warranty is not valid.

If the cable is longer than 50 cm, it is ok to shorten the cable, but not shorter than 50 cm.

If the cable is cut shorter than 50 cm, the warranty is not valid.

#### **WARNING!**

Do not use higher volts than the product description states.

This light becomes hot under continuous use. Don't remove or touch the casing for at least 30 minutes after turning the lamp off.

**Part no.** 850210-850226

Contact us if you need support: [support@strands.se](mailto:support@strands.se) or +46(0)320-450450



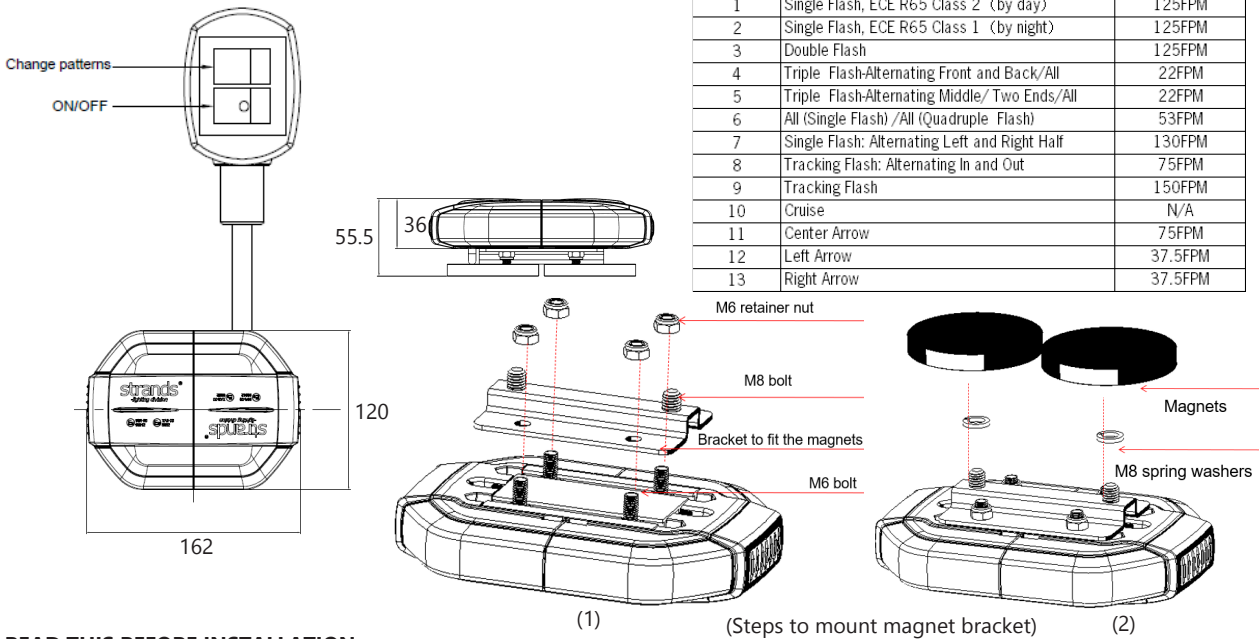
[www.strands.se](http://www.strands.se)  
[www.strandseurope.com](http://www.strandseurope.com)

# strands®

-lighting division

## MANUAL

### CRUISE LIGHT ROOF BAR



#### READ THIS BEFORE INSTALLATION

READ ALL INSTRUCTIONS AND STUDY DIAGRAMS BEFORE INSTALLING YOUR NEW LIGHTS!

#### LEGAL MOUNTING

Check with state or local authorities for laws governing usage and proper mounting of your new lights.

#### TAKE CARE OF YOUR PRODUCT

Keep the product clean. Dirt may shorten the products lifetime.

We recommend using lukewarm water and alkaline degreasing.

Follow the degreasing instructions carefully and rinse off gently with cold or lukewarm water on low pressure.

#### WARNING!

Strong chemicals should not be used on the product. If you accidentally get strong chemicals on the product, rinse off immediately, use plenty of water so that no chemicals remain in any joint.

Some chemicals have a small amount of solvent in them, this can dissolve sealing adhesives and compromise the product's waterproofness.

Some chemicals pull out liquid from plastic and rubber-based components, which makes the plastic or rubber brittle and bursts more easily.

Be careful not to use high water pressure close up on the product.

If you use high water pressure at short distances, most products find it difficult to close out the water.

#### INSTALLATION

If there is a contact/connector on the product, it should not be cutted. If the connector is cut, the warranty is not valid.

If the product has loose cable and no connector. If the cable is shorter than 50 cm, the cable must not be cutted. If the cable is cut, the warranty is not valid.

If the cable is longer than 50 cm, it is ok to shorten the cable, but not shorter than 50 cm.

If the cable is cut shorter than 50 cm, the warranty is not valid.

#### WARNING!

Do not use higher volts than the product description states.

This light becomes hot under continuous use. Don't remove or touch the casing for at least 30 minutes after turning the lamp off.

Part no. 850210

Contact us if you need support: support@strands.se or +46(0)320-450450



www.strands.se  
www.strandseurope.com