

MANUAL

SIBERIA XP DR/DRC LED BAR

RED: + High beam
BLACK: (-) Negative
GREY: Signal wire connect to +(VDC)
WHITE: +White position light
YELLOW: +Yellow position light

Hello Function: This function is activated by flashing the high beam twice within 2 seconds. To use this mode, ensure a position light wire is connected.

Default Setting: Xperience mode

Always start from the "off" state, meaning the light must have been turned off for at least five seconds to discharge any internal power.

To switch to E-mode:

1. Turn off the high beam for 5 seconds.
2. Turn the high beam on and let it run for 2 seconds.
3. Then, quickly flash the high beam 3 times within 5 seconds.

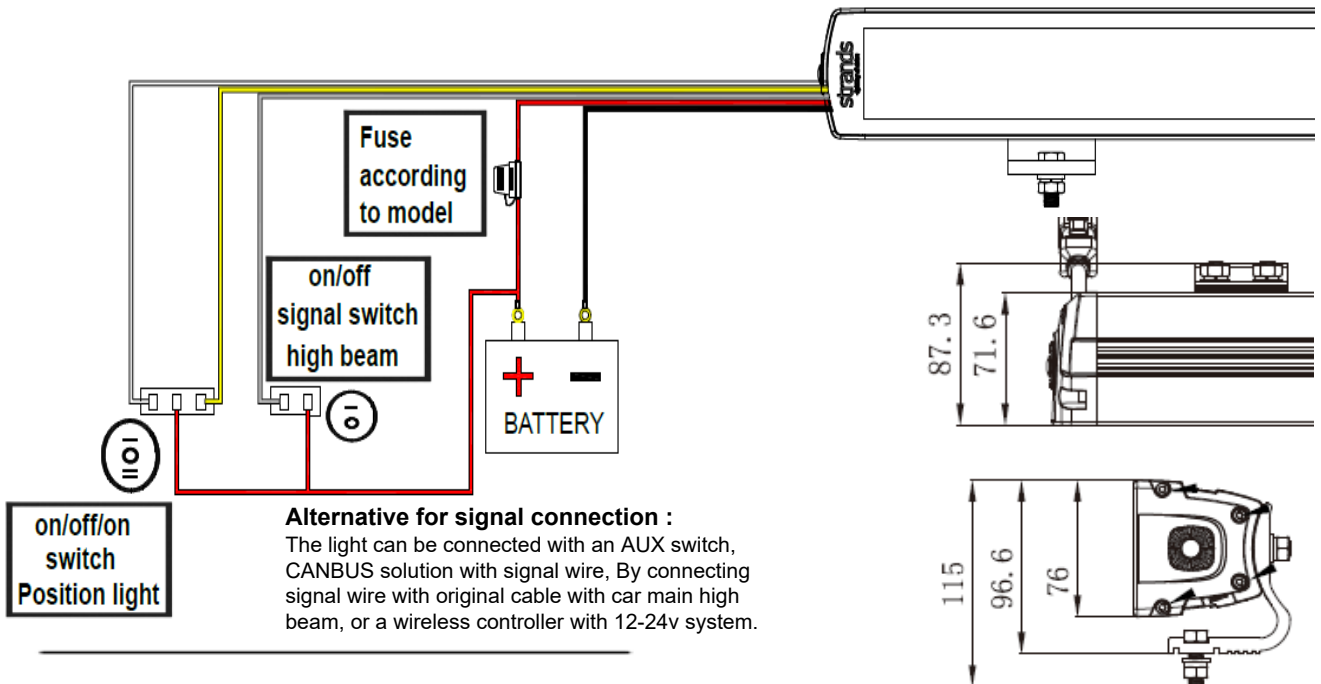
Switching back to Xperience mode:

1. Turn off the high beam for 5 seconds.
2. Turn the high beam on and let it run for 2 seconds.
3. Then, quickly flash the high beam 3 times within 5 seconds.

*This mode is available for batch numbers 010163, 010015 and for products after 2025-08-25 LED bars from older batches before this dates do not include the reset mode. New batches will come with an updated manual in packaging that includes instructions for the reset mode.

To Reset: (Default mode)

Regardless of the actual mode, Turn off light for at least 5 seconds, Then flash the light quickly 10 times within 20 seconds; it will immediately reset to Xperience mode. Do not make any delay before starting the flashing. If you delay for more than 2 seconds, the reset mode will not be successful, and you will have to repeat the same steps again. This feature is designed for situations where multiple lights have inconsistent power settings and need to be quickly unified to the same setting.



(Part No.809427, 809431 (25A fuse) 809428, 809429, 809432, 809433 (40A fuse) 809430, 809434 (50A fuse) , 2.5m cable, Hello function

(Length for DR/DRC version 208.4mm-1279.4mm)8"-50"

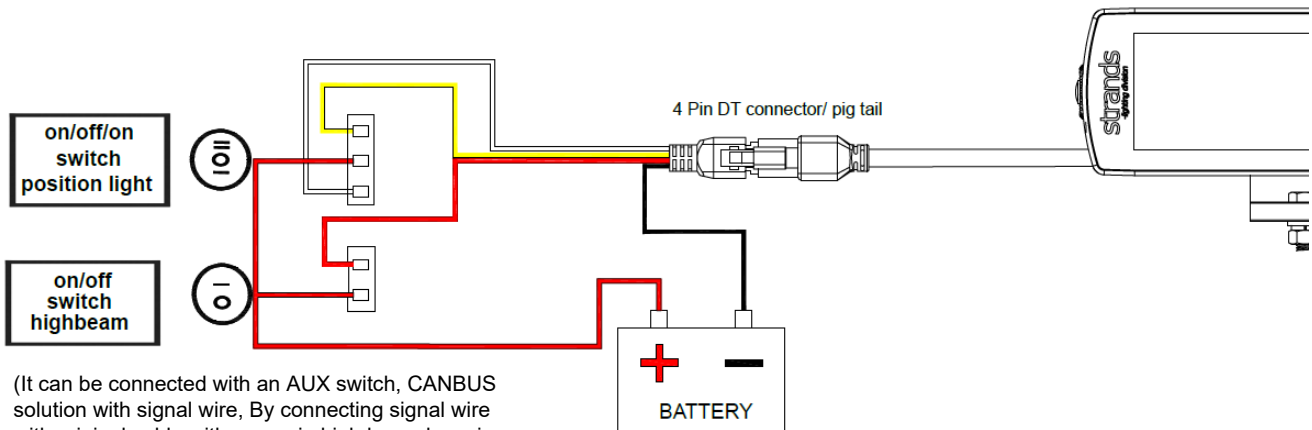
Contact us if you need support: support@strands.se or +46(0)320-450450



strands®

-lighting division

(PIN1)RED: + High beam
(PIN2)BLACK: (-) Negative
(PIN3)WHITE: +White position light
(PIN4)YELLOW: +Yellow position light



(It can be connected with an AUX switch, CANBUS solution with signal wire, By connecting signal wire with original cable with car main high beam by using strands cable kit like 270477 or a similar type. a wireless controller with 12-24v system)

(Part no.809425,809426)

*No fuse, 15cm cable with DT4 and pig tail, No hello function

Note: The connection diagrams shown are examples only. This guide focuses on connecting an external switch for a single light bar fixture.

*Side brackets are not included in the package. If needed, you can get them separately using our part number 270361.

READ THIS BEFORE INSTALLATION

READ ALL INSTRUCTIONS AND STUDY DIAGRAMS BEFORE INSTALLING YOUR NEW LIGHTS!

LEGAL MOUNTING

Check with state or local authorities for laws governing usage and proper mounting of your new lights.

TAKE CARE OF YOUR PRODUCT

Keep the product clean. Dirt on the lens and heat-sink may shorten the products lifetime. Top cover of the roof bar can clean with normal water and cloth, Do not use any sharp material to rub on it.

Follow the degreasing instructions carefully and rinse off gently with cold or lukewarm water on low pressure.

WARNING!

Strong chemicals should not be used on the product. If you accidentally get strong chemicals on the product, rinse off immediately, use plenty of water so that no chemicals remain in any joint.

Some chemicals have a small amount of solvent in them, this can dissolve sealing adhesives and compromise the product's waterproofness.

Some chemicals pull out liquid from plastic and rubber-based components, which makes the plastic or rubber brittle and bursts more easily.

Be careful not to use high water pressure close up on the product.

If you use high water pressure at short distances, most products find it difficult to close out the water.

INSTALLATION

If there is a contact/connector on the product, it should not be cutted. If the connector is cut, the warranty is not valid.

If the product has loose cable and no connector. If the cable is shorter than 50 cm, the cable must not be cutted. If the cable is cut, the warranty is not valid.

If the cable is longer than 50 cm, it is ok to shorten the cable, but not shorter than 50 cm.

If the cable is cut shorter than 50 cm, the warranty is not valid.

Tighten screws and bolts so that they do not loosen or chafe.

Do not tighten screws so hard that the protective bearings on the product breaks.

WARNING!

Do not use higher voltage than the product description states. This light becomes hot under continuous use. Don't remove or touch the casing for at least 30 minutes after turning the lamp off.

Contact us if you need support: support@strands.se or +46(0)320-450450



www.strands.se
www.strandseurope.com