

BIG ENERGY H1/H3/H4/H7

LED CONVERSION KIT / CANBUS DECODER

INSTRUCTIONS

(901001,901002) **Terminal Pin RED: + POSITIVE**

(901003) Terminal Pin Info:H= +HIGH BEAM, L= +LOW BEAM
E= - NEGATIVE

(901004) Terminal Pin L/R: NO POLARIZATION



**If you experience dashboard error messages, LED flickering, or other CAN bus compatibility issues, you may need a resistor or canbus decoder. Please purchase the appropriate CAN bus decoder (models 901005, 901006, or 901007) according to your specific LED socket type.*

ADDITIONAL INFORMATION

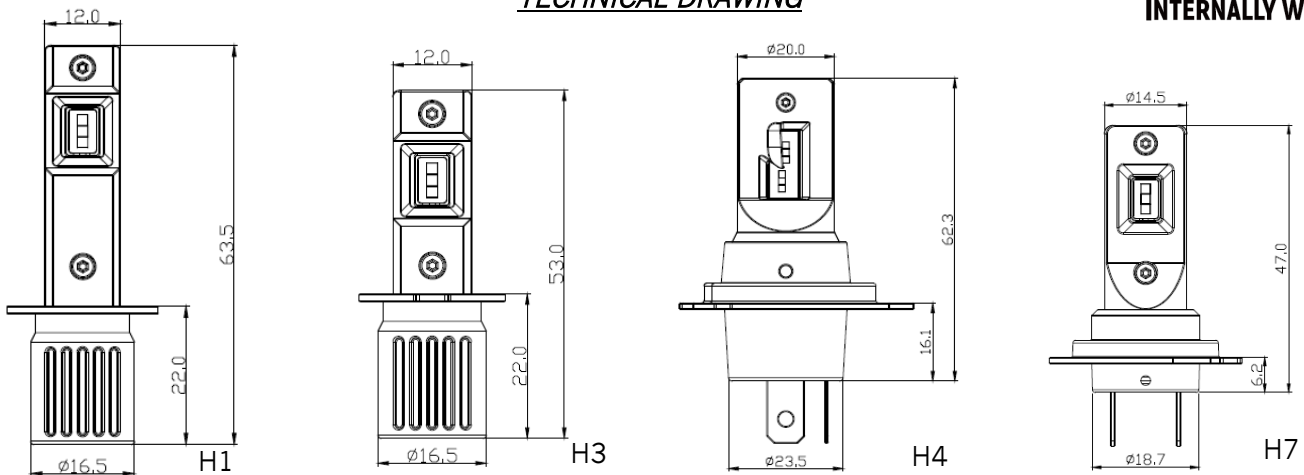
* 360 adjustable base for H4, H7

* Fanless model, easy to mount, similar to original halogen socket installation, with an in-built driver.

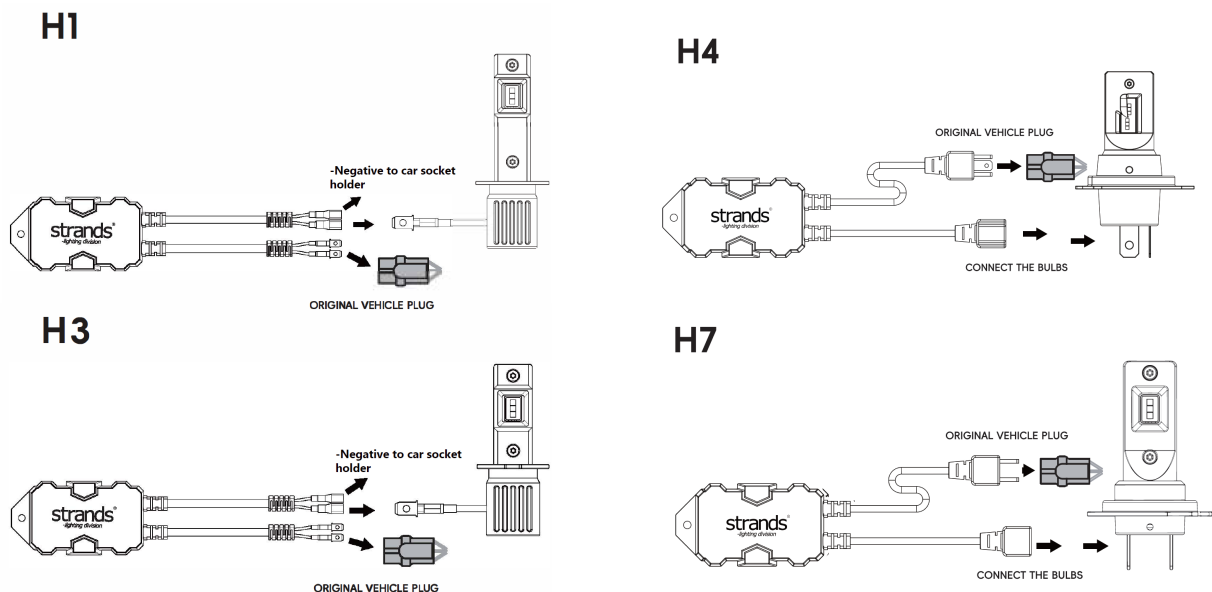


INTERNALLY WIRED

TECHNICAL DRAWING



CONNECTION DIAGRAM WITH CANBUS DECODER



INCLUDED IN PACKAGE:

For article 901001-04

- *2pcs X Light unit*

For article 901005-07

- *2pcs X Canbus decoder*

Use the QR code to check out below information:

- ✓ Product specification
- ✓ Advanced manual
- ✓ Suitable products



READ ALL THE INSTRUCTIONS AND STUDY THE DIAGRAMS BEFORE INSTALLING NEW LIGHT!

LEGAL MOUNTING

- Please check state and local laws for proper usage and mounting. Strands will not be responsible for products mounted incorrectly or in violation of local laws (e.g., ECE R48 regulation for the EU)

PRODUCT CARE

- Clean the product with lukewarm water and an alkaline degreaser. Avoid strong chemicals; rinse immediately if exposed. Do not use a pressure washer for cleaning.
- Take care if your light has a breather. Ensure it is protected against rain and dust, especially if it has a sticker breather. Damage to the breather due to incorrect installation will void the warranty.
- Internal moisture is normal and will dissipate through the breather vent after several days of use.
- We do not recommend painting the product housing. If paint is still applied, please ensure the breather is protected and an oven is not used for curing the paint. Otherwise, the warranty might be void.

INSTALLATION

- Ensure power is turned off during installation.
- Do not cut the connector cable to less than 50 cm. If the original cable is already shorter than 50 cm, leave it as is. Otherwise, the warranty will be void.
- Make sure to use only the correct accessories included in the package. Installation errors may void the warranty.
- Tighten screws, washers, and nuts to prevent them from loosening or chafing. Do not overtighten screws to avoid damaging the product's protective components.
- Use a watertight solution for wiring connections.

WARNING!

- For safe operation, use only the voltage specified in the product description. This light becomes hot under continuous use. Do not remove or touch the casing for at least 30 minutes after turning the lamp off

Contact us if you need support: support@strands.se or +46(0)320-450450
Please also refer to the FAQ section on our website for more information.

www.strands.se
www.strandseurope.com



strands[®]
-lighting division