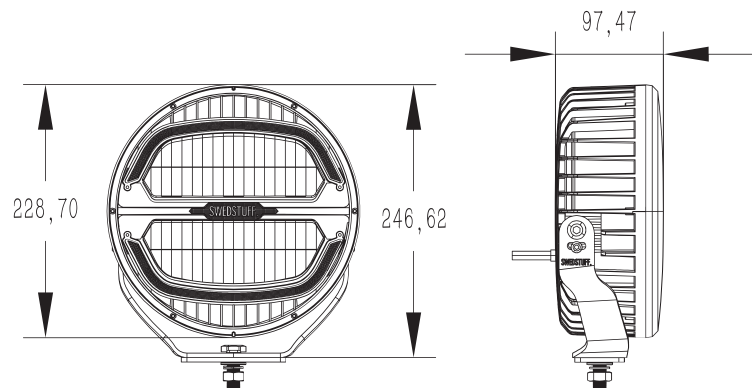
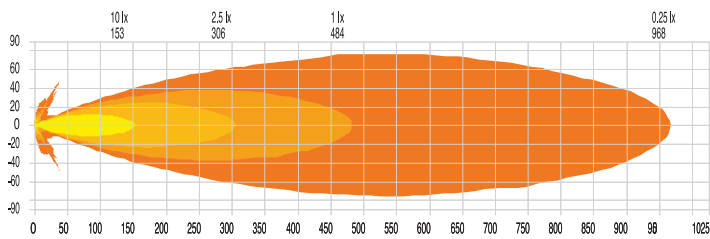


DRIVING LIGHT 9" 95W



SPECIFICATION

Voltage:	10-32V DC
Theoretical Effect:	136,8W
Consumption (W):	95W
Consumption Specific Function (W):	White position light: 1.5 Amber position light: 1.5
Function:	high-beam, amber and white position light
Theoretical lumen:	4900
Actual lumen:	4800
1lux@m:	484m
Kelvin:	5700K
Color lens:	Clear
Color LEDs:	White, Amber
Beam patterns:	Optimized beam
Position light:	White, Amber
Operating temperature:	-35 - +60°C

EXTERIOR INFORMATION

Length:	228,7
Depth:	97,47
Height:	228,7
Diameter:	228,7
Height including bracket:	246,62
Material lens:	Polycarbonate
Material housing:	Aluminium
Connection:	DT4
Cable length:	1000

APPROVALS

E-approved:	ECE R148(R7), R149(R112)
IP-class:	IP67, IP69K
Ref:	50
EMC-certificate:	ECE R10